

**SONY**<sup>®</sup>

i.LINK INTERFACE BOARD

**HKJ-101**

**HDCAM** **i**

INSTALLATION MANUAL

1st Edition

## **⚠ 警告**

このマニュアルは、サービス専用です。  
お客様が、このマニュアルに記載された設置や保守、点検、修理などを行うと感電や火災、人身事故につながる可能性があります。  
危険をさけるため、サービストレーニングを受けた技術者のみご使用ください。

## **⚠ WARNING**

This manual is intended for qualified service personnel only.  
To reduce the risk of electric shock, fire or injury, do not perform any servicing other than that contained in the operating instructions unless you are qualified to do so. Refer all servicing to qualified service personnel.

## **⚠ WARNUNG**

Die Anleitung ist nur für qualifiziertes Fachpersonal bestimmt.  
Alle Wartungsarbeiten dürfen nur von qualifiziertem Fachpersonal ausgeführt werden. Um die Gefahr eines elektrischen Schlages, Feuergefahr und Verletzungen zu vermeiden, sind bei Wartungsarbeiten strikt die Angaben in der Anleitung zu befolgen. Andere als die angegebenen Wartungsarbeiten dürfen nur von Personen ausgeführt werden, die eine spezielle Befähigung dazu besitzen.

## **⚠ AVERTISSEMENT**

Ce manuel est destiné uniquement aux personnes compétentes en charge de l'entretien. Afin de réduire les risques de décharge électrique, d'incendie ou de blessure n'effectuer que les réparations indiquées dans le mode d'emploi à moins d'être qualifié pour en effectuer d'autres. Pour toute réparation faire appel à une personne compétente uniquement.

i.LINK とは IEEE 1394-1995 仕様およびその拡張仕様技術を意味し、ソニーの商標です。ⓘ は i.LINK のマークです。

i.LINK and ⓘ are trademarks and indicate that this product is in agreement with IEEE1394-1995 specifications and their revisions.

**For the customers in the USA**

This equipment has been tested and found to comply with the limits for a Class A digital device, pursuant to Part 15 of the FCC Rules. These limits are designed to provide reasonable protection against harmful interference when the equipment is operated in a commercial environment. This equipment generates, uses, and can radiate radio frequency energy and, if not installed and used in accordance with the instruction manual, may cause harmful interference to radio communications. Operation of this equipment in a residential area is likely to cause harmful interference in which case the user will be required to correct the interference at his own expense.

You are cautioned that any changes or modifications not expressly approved in this manual could void your authority to operate this equipment.

The shielded interface cable recommended in this manual must be used with this equipment in order to comply with the limits for a digital device pursuant to Subpart B of Part 15 of FCC Rules.

The device complies with part 15 of the FCC Rules. Operation is subject to the following two conditions: (1) this device may not cause harmful interference, and (2) this device must accept any interference received, including interference that may cause undesired operation.

**For customers in Canada**

This Class A digital apparatus complies with Canadian ICES-003.

**Pour les utilisateurs au Canada**

Cet appareil numérique de la classe A est conforme à la norme NMB-003 du Canada.

**For the customers in Europe**

This product with the CE marking complies with the EMC Directive (89/336/EEC) issued by the Commission of the European Community.

Compliance with this directive implies conformity to the following European standards:

- EN55103-1: Electromagnetic Interference (Emission)
- EN55103-2: Electromagnetic Susceptibility (Immunity)

This product is intended for use in the following Electromagnetic Environment:

E1 (residential), E2 (commercial and light industrial), E3 (urban outdoors) and E4 (controlled EMC environment, ex. TV studio).

**Pour les clients européens**

Ce produit portant la marque CE est conforme à la Directive sur la compatibilité électromagnétique (EMC) (89/336/CEE) émise par la Commission de la Communauté Européenne.

La conformité à cette directive implique la conformité aux normes européennes suivantes:

- EN55103-1: Interférences électromagnétiques (émission)
- EN55103-2: Sensibilité électromagnétique (immunité)

Ce produit est prévu pour être utilisé dans l'environnement électromagnétique suivant: E1 (résidentiel), E2 (commercial et industrie légère), E3 (urbain extérieur) et E4 (environnement EMC contrôlé ex. studio de télévision).

**Für Kunden in Europa**

Dieses Produkt besitzt die CE-Kennzeichnung Und erfüllt die EMV-Richtlinie (89/336/EWG) EG-Kommission.

Angewandte Normen:

- EN55103-1: Elektromagnetische Verträglichkeit (Störaussendung)
- EN55103-2: Elektromagnetische Verträglichkeit (Störfestigkeit),

für die folgenden elektromagnetischen Umgebungen:

E1 (Wohnbereich), E2 (kommerzieller und in beschränktem Maße industrieller Bereich), E3 (Stadtbereich im Freien) und E4 (kontrollierter EMV-Bereich, z.B. Fernsehstudio)



# Section 1

## Installation

### 1-1. Overview

The i.LINK interface board HKJ-101 enables the Digital Video Cassette Compact Player J-H1/J-H3 to output the down-converted SD video signal in the i.LINK/DV format.

In addition, off-line editing can be executed by connecting the J-H1/J-H3 containing the HKJ-101 board to the PC containing the non-linear editing software, using an i.LINK/DV cable.

HKJ-101 consists of the followings.

- DV-29 board : 1
- CN-2478 board : 1
- Rear panel for J-H1 : 1
- Rear panel for J-H3 : 1

Beside this Installation Manual, the following manuals are prepared for HKJ-101.

- **Operation Manual CD-ROM (Supplied with J-H1/J-H3)**

This manual is necessary for practical application and operation of J-H1/J-H3 and HKJ-101.

- **Operation Guide (Supplied with J-H1/J-H3)**

This manual serves as a quick reference.

- **J-H Series Maintenance Manual (e-manual) (Available on request)**

This manual describes the information that premises the component service (periodic inspection, , periodic maintenance, diagnostics, parts replacement, adjustments, parts list, block diagrams, schematic diagrams, board layouts and others) to be used by system and maintenance engineers.

If this manual required, please contact your local Sony Sales Office/Service Center.

### 1-2. Installing the Circuit Board

Procedure is different when installing HKJ-101 in J-H1 and J-H3.

- To install HKJ-101 in J-H1 (Refer to Section 1-2-1.)
- To install HKJ-101 in J-H3 (Refer to Section 1-2-2.)

#### Note

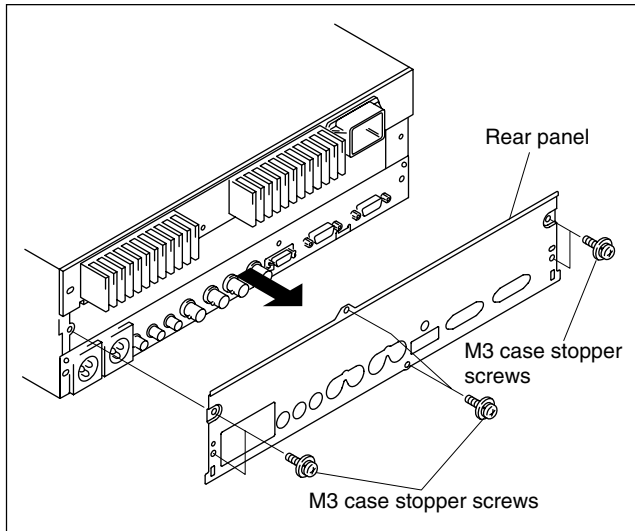
Before starting installation, be sure to turn off the POWER switch and disconnect the power cord. Then start the following procedures.

### 1-2-1. To install HKJ-101 in J-H1

1. Remove the six M3 case stopper screws.
2. Remove the rear panel.

**Note**

Store the removed rear panel in a safe place so as not to lose it.



3. Insert the connector (CN601) on the DV-29 board into the connector (CN41) on the CN-2478 board.

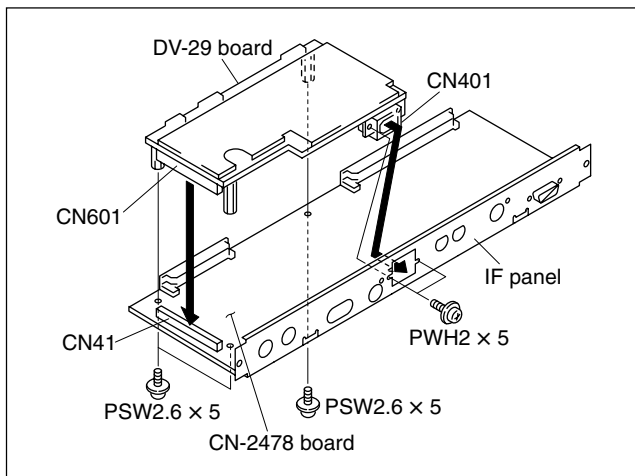
**Note**

First, insert the connector (CN401) on the DV-29 board to the hole for i.LINK connector on the IF panel. Then insert connector (CN601) to the connector on the CN-2478 board.

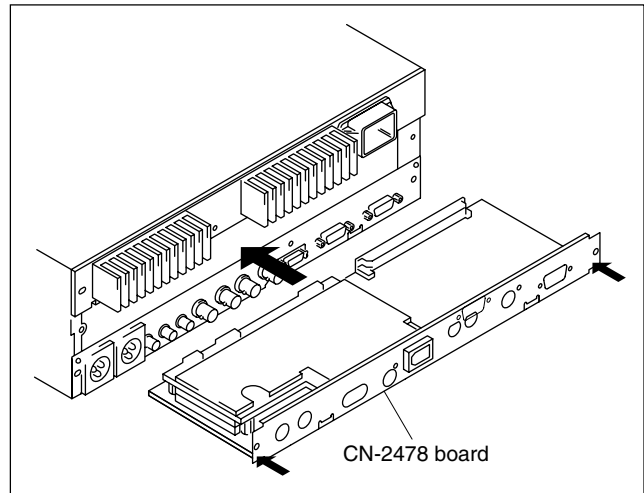
4. Fix the DV-29 board to the IF panel and to the CN-2478 board using the supplied screws (PWH2 × 5 : 2 screws, PSW2.6 × 5 : 3 screws).

**Note**

When tightening the screws, tighten the screws PWH2 × 5 first of all screws.



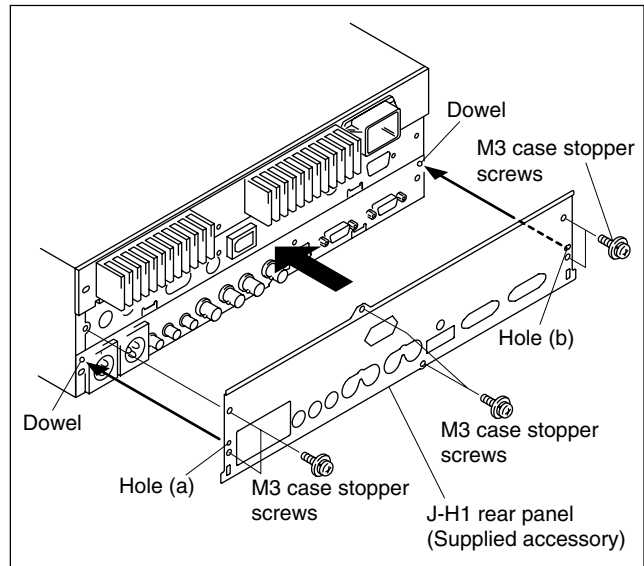
5. Insert the CN-2478 board to the second slot from the bottom of J-H1.
6. Strongly push the connector panel both from the right and the left sides of the CN-2478 board so that the connector on the CN-2478 board is securely inserted into the connector on the MB-993 board.



7. Install the supplied rear panel for J-H1 using the six M3 case stopper screws.

**Note**

Tighten the screws in the state that the two dowels are aligned with the holes (a) and (b) on the rear panel as shown in the figure.

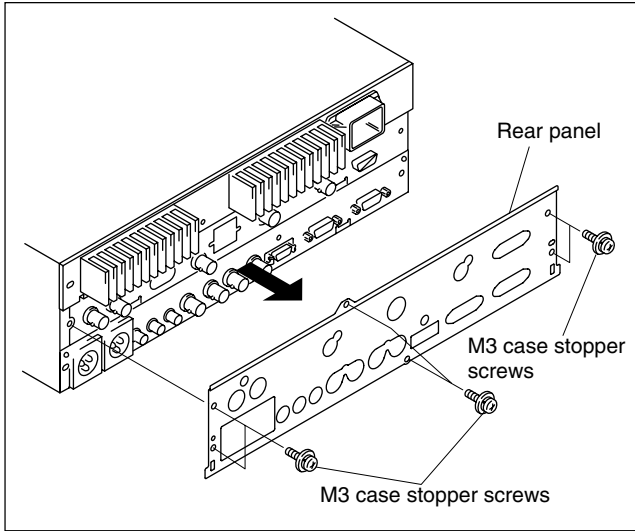


### 1-2-2. To install HKJ-101 in J-H3

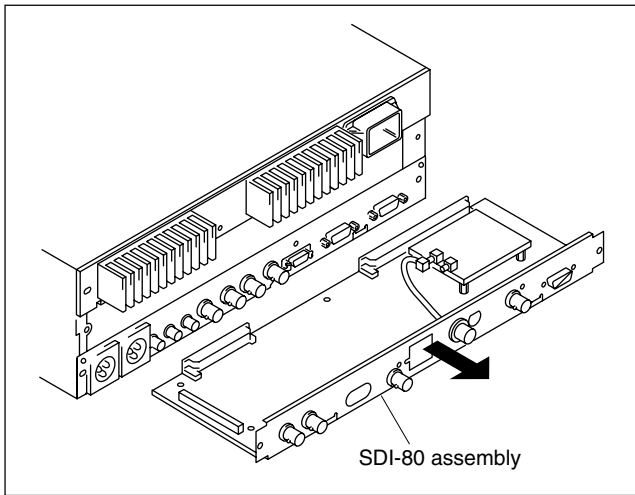
1. Remove the six M3 case stopper screws.
2. Remove the rear panel.

**Note**

Store the removed rear panel in a safe place so as not to lose it.



3. Pull out the SDI-80 assembly from the second slot from the bottom of the J-H3 in the direction of the arrow.



4. Insert the connector (CN601) on the DV-29 board into the connector (CN41) on the SDI-80 assembly.

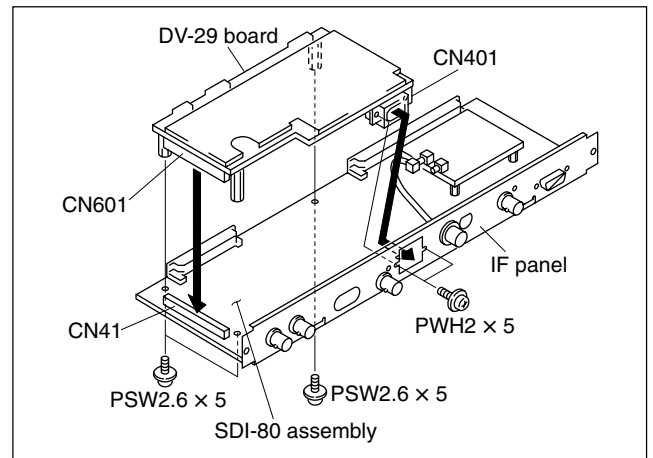
**Note**

First, insert the connector (CN401) on the DV-29 board to the hole for i.LINK connector on the IF panel. Then insert connector (CN601) to the connector on the CN-2478 board.

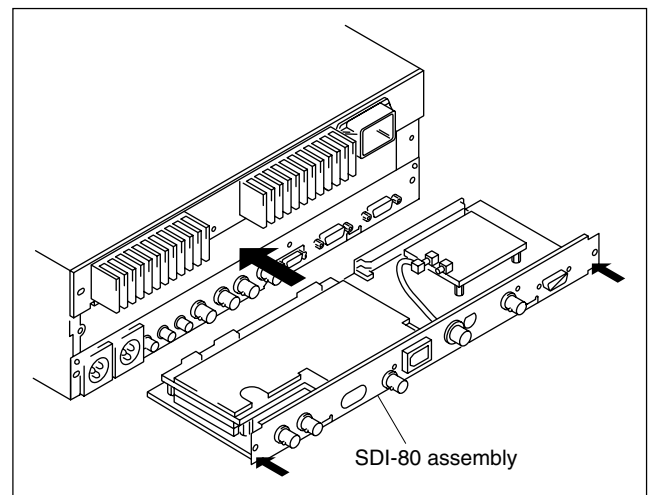
5. Fix the DV-29 board to the IF panel and to the SDI-80 assembly using the supplied screws (PWH2 × 5 : 2 screws, PSW2.6 × 5 : 3 screws).

**Note**

When tightening the screws, tighten the screws PWH2 × 5 first of all screws.



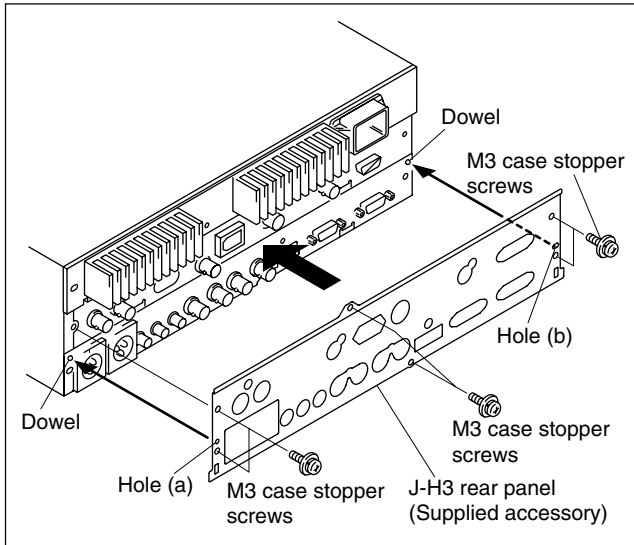
6. Insert the SDI-80 assembly to the original slot.
7. Strongly push the connector panel both from the right and the left sides of the SDI-80 assembly so that the connector on the SDI-80 assembly is securely inserted into the connector on the MB-993 board.



8. Install the supplied rear panel for J-H3 using the six M3 case stopper screws .

**Note**

Tighten the screws in the state that the two dowels are aligned with the holes (a) and (b) on the rear panel as shown in the figure.





このマニュアルに記載されている事柄の著作権は当社にあります。

従って、当社の許可なしに無断で複写したり、説明内容(操作、保守等)と異なる目的で本マニュアルを使用することを禁止します。

The material contained in this manual consists of information that is the property of Sony Corporation. Sony Corporation expressly prohibits the duplication of any portion of this manual or the use thereof for any purpose other than the operation or maintenance of the equipment described in this manual without the express written permission of Sony Corporation.

Le matériel contenu dans ce manuel consiste en informations qui sont la propriété de Sony Corporation. Sony Corporation interdit formellement la copie de quelque partie que ce soit de ce manuel ou son emploi pour tout autre but que des opérations ou entretiens de l'équipement à moins d'une permission écrite de Sony Corporation.

Das in dieser Anleitung enthaltene Material besteht aus Informationen, die Eigentum der Sony Corporation sind. Die Sony Corporation untersagt ausdrücklich die Vervielfältigung jeglicher Teile dieser Anleitung oder den Gebrauch derselben für irgendeinen anderen Zweck als die Bedienung oder Wartung der in dieser Anleitung beschriebenen Ausrüstung ohne ausdrückliche schriftliche Erlaubnis der Sony Corporation.

